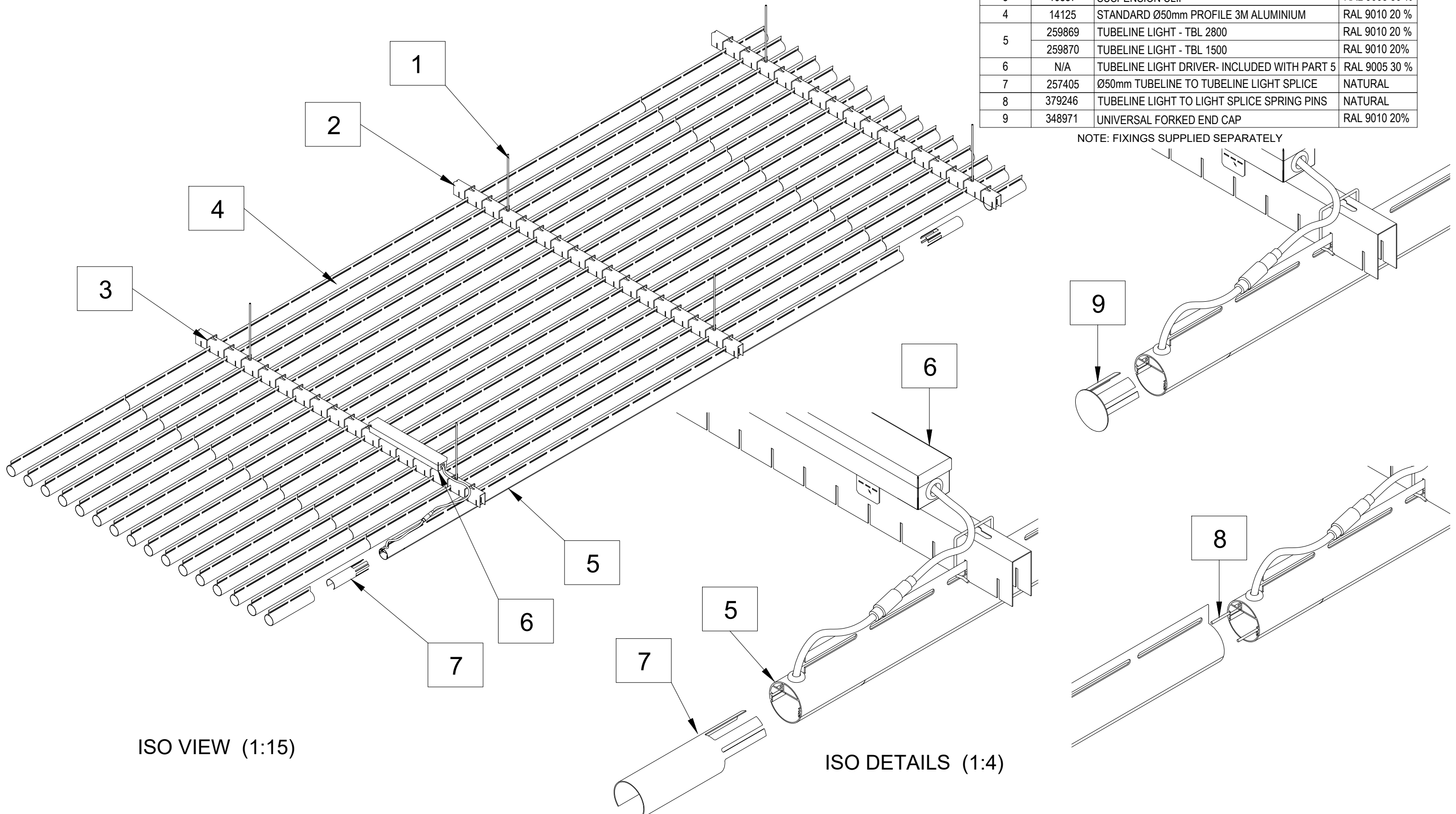


SYSTEM 750 TUBELINE LIGHT			
ITEM No	REF	DESCRIPTION	COLOUR
1	BY OTHERS	M6 THREADED ROD	MILL FINISH
2	226254	CARRIER RAIL	RAL 9005 30 %
3	10537	SUSPENSION CLIP	RAL 9005 30 %
4	14125	STANDARD Ø50mm PROFILE 3M ALUMINIUM	RAL 9010 20 %
5	259869	TUBELINE LIGHT - TBL 2800	RAL 9010 20 %
	259870	TUBELINE LIGHT - TBL 1500	RAL 9010 20%
6	N/A	TUBELINE LIGHT DRIVER- INCLUDED WITH PART 5	RAL 9005 30 %
7	257405	Ø50mm TUBELINE TO TUBELINE LIGHT SPLICE	NATURAL
8	379246	TUBELINE LIGHT TO LIGHT SPLICE SPRING PINS	NATURAL
9	348971	UNIVERSAL FORKED END CAP	RAL 9010 20%

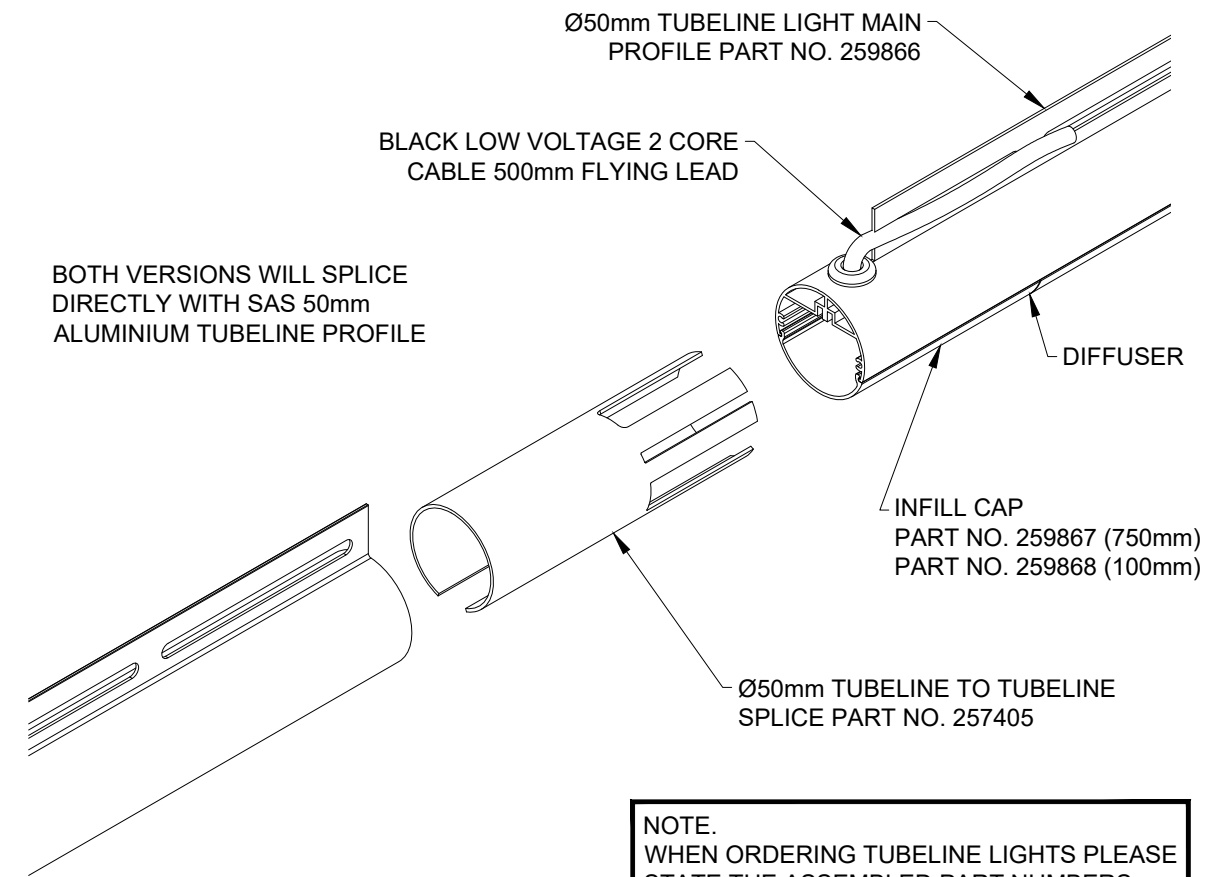
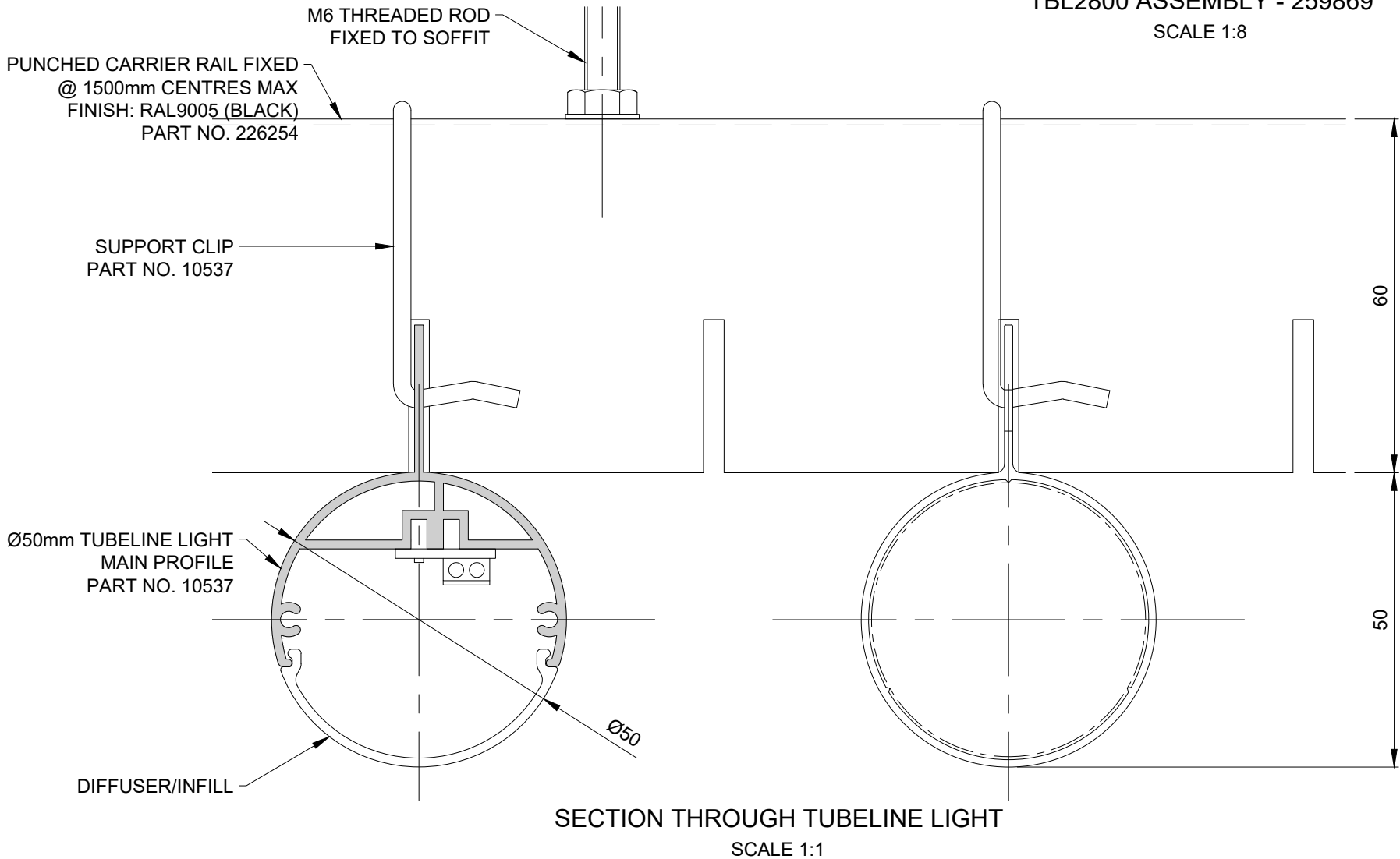
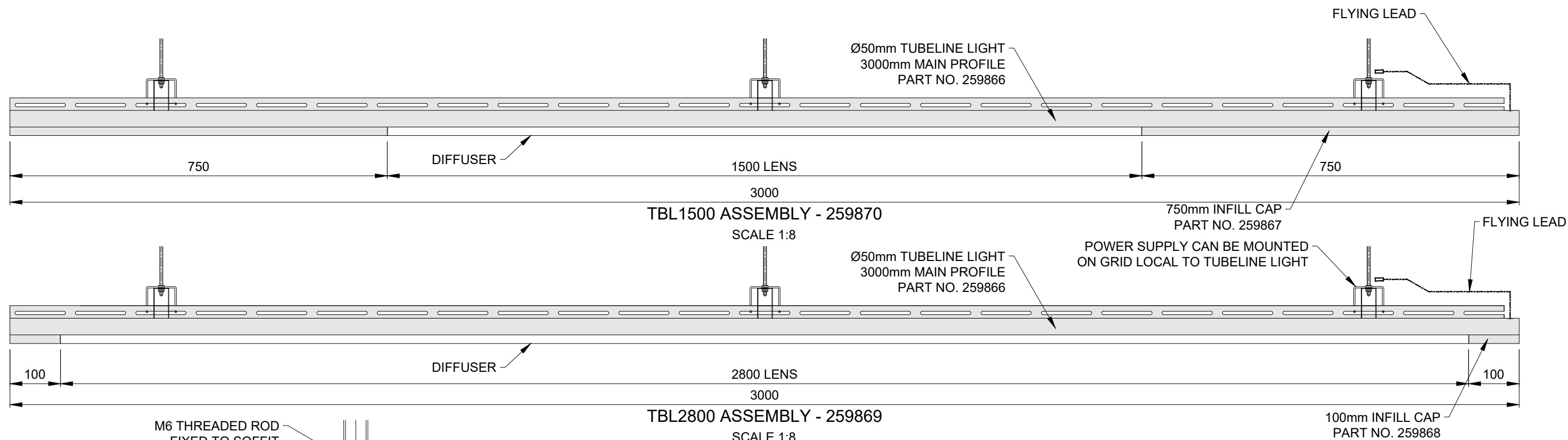
NOTE: FIXINGS SUPPLIED SEPARATELY



ISO VIEW (1:15)

ISO DETAILS (1:4)

REV	DATE	DESCRIPTION	INITIAL
A	30/08/2017	FIRST ISSUE	---
B	21/10/2019	END CAP AND SPLICE TO SPLICE ADDED	SB



NOTE.  
WHEN ORDERING TUBELINE LIGHTS PLEASE  
STATE THE ASSEMBLED PART NUMBERS  
TBL2800 - 259869  
TBL1500 - 259870

REV	DATE	DESCRIPTION	INITIAL
A	17/09/2015	FIRST ISSUE	---