

SAS500i INDIVIDUAL BAFFLE LIGHTS			
ITEM No	REF	DESCRIPTION	COLOUR
1	TO ORDER	SAS500 LIGHT BAFFLE, MADE TO ORDER. LENGTHS AVAILABLE 1200mm, 1500mm, 1800mm. DEPTH BETWEEN 150mm AND 500mm. CHOICE BETWEEN PLAIN DIFFUSER OR WITH GLARE CONTROL LENS, EXAMPLE MODULES AS FOLLOWS	PPC
	328639	BAFFLE LIGHT 1200 x 500 INDIVIDUAL MODULE - WITH GLARE CONTROL LENS	RAL9010
	328640	BAFFLE LIGHT 1500 x 500 INDIVIDUAL MODULE - WITH GLARE CONTROL LENS	RAL9010
	328641	BAFFLE LIGHT 1800 x 500 INDIVIDUAL MODULE - WITH GLARE CONTROL LENS	RAL9010
	331627	BAFFLE LIGHT 1200 x 500 INDIVIDUAL MODULE - WITH OPAL DIFFUSER	RAL9010
	331628	BAFFLE LIGHT 1500 x 500 INDIVIDUAL MODULE - WITH OPAL DIFFUSER	RAL9010
2	331626	BAFFLE LIGHT 1800 x 500 INDIVIDUAL MODULE - WITH OPAL DIFFUSER	RAL9010
	328652	DRIVER TYPE 1 - SUITABLE FOR INDIVIDUAL BAFFLES UPTO 2M 50W DALI 2V - SUPPLIED LOOSE FOR REMOTE MOUNTING BY OTHERS	WHITE
	331943	EMERGENCY DRIVER 100W DIM8 24V 250mm LEADS - SEE DRAWING 0443 SUPPLIED LOOSE FOR REMOTE MOUNTING BY OTHERS	BLACK
3	328654	3M EXTENSION CABLE - OPTIONAL	WHITE
4	BY OTHERS	SUSPENSION BY OTHERS/ CEILING CONTRACTORS/ INSTALLERS	-
5	BY OTHERS	MAIMS WIRING BY OTHERS/ ELECTRICAL CONTRACTOR	-

DRIVER DIMENSIONS	
L	350 mm
W	32 mm
H	22 mm

NOTES:

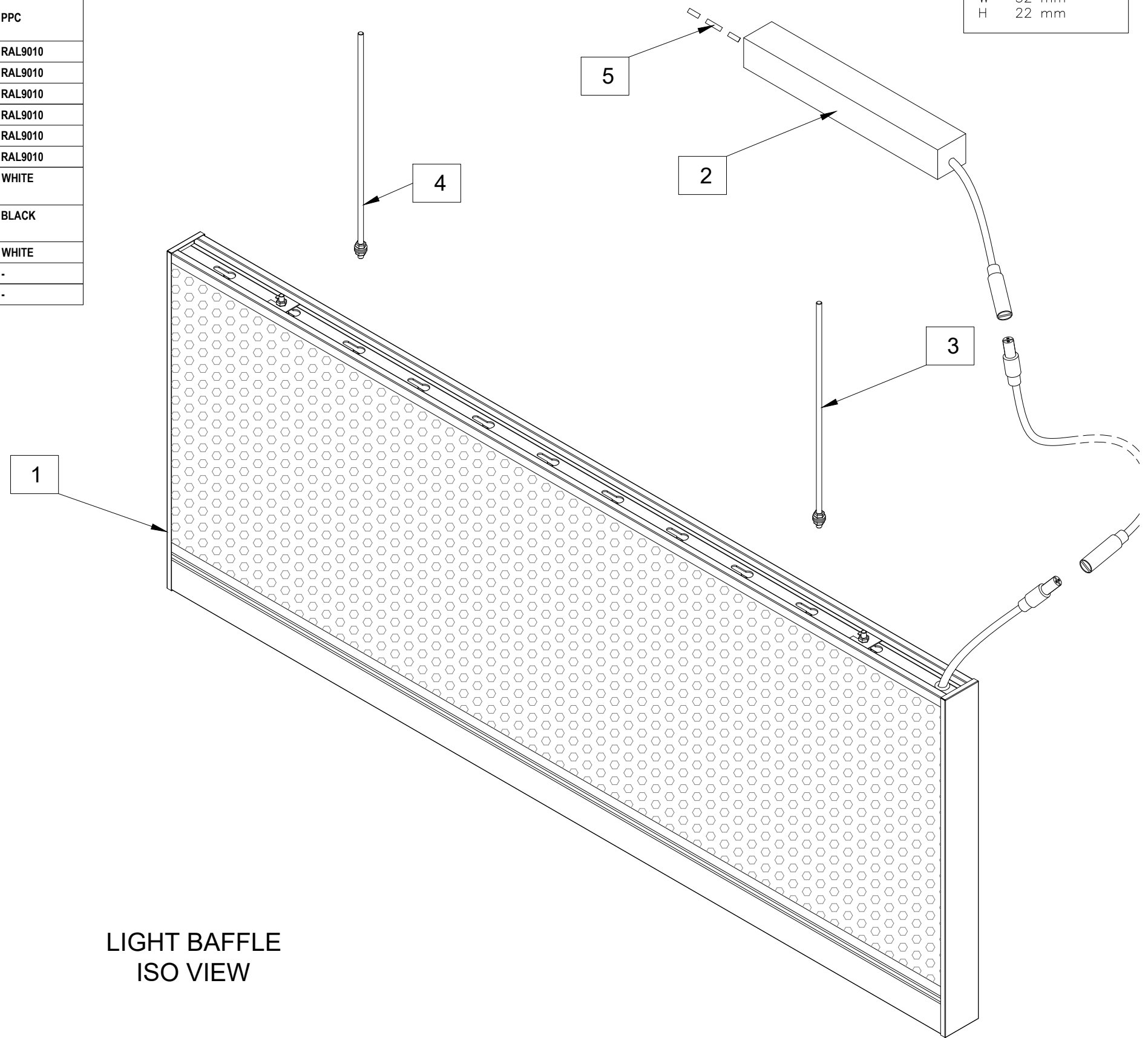
DRIVERS ARE INCLUDED WITH THE BAFFLE MODULE.

SEPERATE DRIVERS ARE LISTED HERE FOR REFERENCE.

ALL ELECTRICAL COMPONENTS AND CONNECTORS FROM THE DRIVER TO THE LUMINAIRE ARE SELV (SEPERATED EXTRA LOW VOLTAGE).

CONNECTION OF DRIVER TO MAINS ON SITE BY OTHERS (QUALIFIED ELECTRICIAN)- ITEM 5

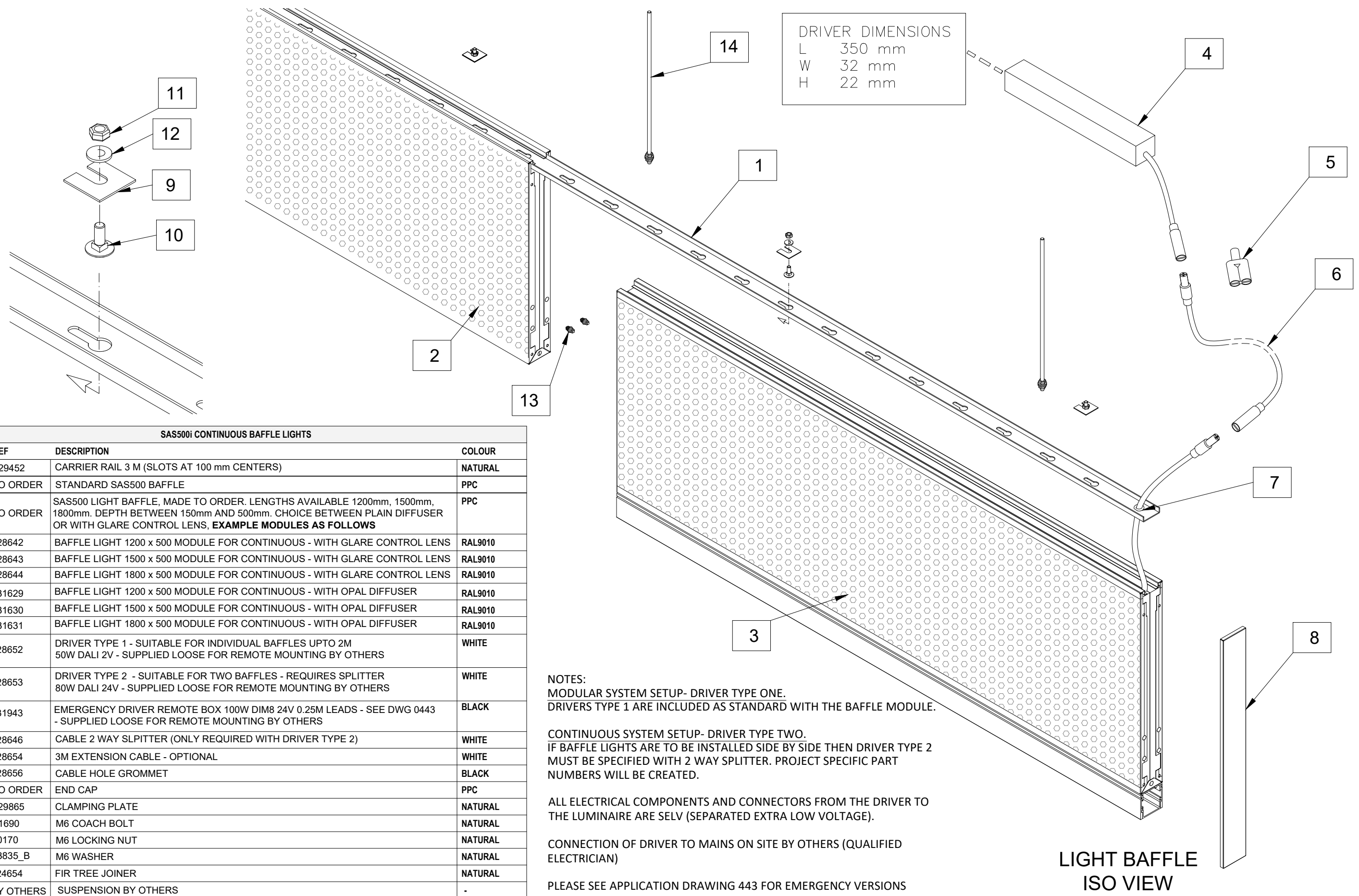
PLEASE SEE APPLICATION DRAWING 443 FOR EMERGENCY VERSIONS



**LIGHT BAFFLE
ISO VIEW**

REV	DATE	DESCRIPTION	INITIAL
A	20/06/2016	FIRST ISSUE	---

SCALE @ A3 N.T.S	DATE 20/06/2016	DRAWN BY MB
DRG / ITEM No. 0320	REV A	
WORKNORM		



DRIVER DIMENSIONS
 L 350 mm
 W 32 mm
 H 22 mm

SAS500i CONTINUOUS BAFFLE LIGHTS			
ITEM No	REF	DESCRIPTION	COLOUR
1	229452	CARRIER RAIL 3 M (SLOTS AT 100 mm CENTERS)	NATURAL
2	TO ORDER	STANDARD SAS500 BAFFLE	PPC
3	TO ORDER	SAS500 LIGHT BAFFLE, MADE TO ORDER. LENGTHS AVAILABLE 1200mm, 1500mm, 1800mm. DEPTH BETWEEN 150mm AND 500mm. CHOICE BETWEEN PLAIN DIFFUSER OR WITH GLARE CONTROL LENS, EXAMPLE MODULES AS FOLLOWS	PPC
	328642	BAFFLE LIGHT 1200 x 500 MODULE FOR CONTINUOUS - WITH GLARE CONTROL LENS	RAL9010
	328643	BAFFLE LIGHT 1500 x 500 MODULE FOR CONTINUOUS - WITH GLARE CONTROL LENS	RAL9010
	328644	BAFFLE LIGHT 1800 x 500 MODULE FOR CONTINUOUS - WITH GLARE CONTROL LENS	RAL9010
	331629	BAFFLE LIGHT 1200 x 500 MODULE FOR CONTINUOUS - WITH OPAL DIFFUSER	RAL9010
	331630	BAFFLE LIGHT 1500 x 500 MODULE FOR CONTINUOUS - WITH OPAL DIFFUSER	RAL9010
4	328652	DRIVER TYPE 1 - SUITABLE FOR INDIVIDUAL BAFFLES UPTO 2M 50W DALI 2V - SUPPLIED LOOSE FOR REMOTE MOUNTING BY OTHERS	WHITE
	328653	DRIVER TYPE 2 - SUITABLE FOR TWO BAFFLES - REQUIRES SPLITTER 80W DALI 24V - SUPPLIED LOOSE FOR REMOTE MOUNTING BY OTHERS	WHITE
	331943	EMERGENCY DRIVER REMOTE BOX 100W DIM8 24V 0.25M LEADS - SEE DWG 0443 - SUPPLIED LOOSE FOR REMOTE MOUNTING BY OTHERS	BLACK
5	328646	CABLE 2 WAY SLPITTER (ONLY REQUIRED WITH DRIVER TYPE 2)	WHITE
6	328654	3M EXTENSION CABLE - OPTIONAL	WHITE
7	328656	CABLE HOLE GROMMET	BLACK
8	TO ORDER	END CAP	PPC
9	229865	CLAMPING PLATE	NATURAL
10	31690	M6 COACH BOLT	NATURAL
11	10170	M6 LOCKING NUT	NATURAL
12	33835_B	M6 WASHER	NATURAL
13	124654	FIR TREE JOINER	NATURAL
14	BY OTHERS	SUSPENSION BY OTHERS	-

NOTES:
 MODULAR SYSTEM SETUP- DRIVER TYPE ONE.
 DRIVERS TYPE 1 ARE INCLUDED AS STANDARD WITH THE BAFFLE MODULE.

CONTINUOUS SYSTEM SETUP- DRIVER TYPE TWO.
 IF BAFFLE LIGHTS ARE TO BE INSTALLED SIDE BY SIDE THEN DRIVER TYPE 2 MUST BE SPECIFIED WITH 2 WAY SPLITTER. PROJECT SPECIFIC PART NUMBERS WILL BE CREATED.

ALL ELECTRICAL COMPONENTS AND CONNECTORS FROM THE DRIVER TO THE LUMINAIRE ARE SELV (SEPARATED EXTRA LOW VOLTAGE).

CONNECTION OF DRIVER TO MAINS ON SITE BY OTHERS (QUALIFIED ELECTRICIAN)

PLEASE SEE APPLICATION DRAWING 443 FOR EMERGENCY VERSIONS

LIGHT BAFFLE
 ISO VIEW

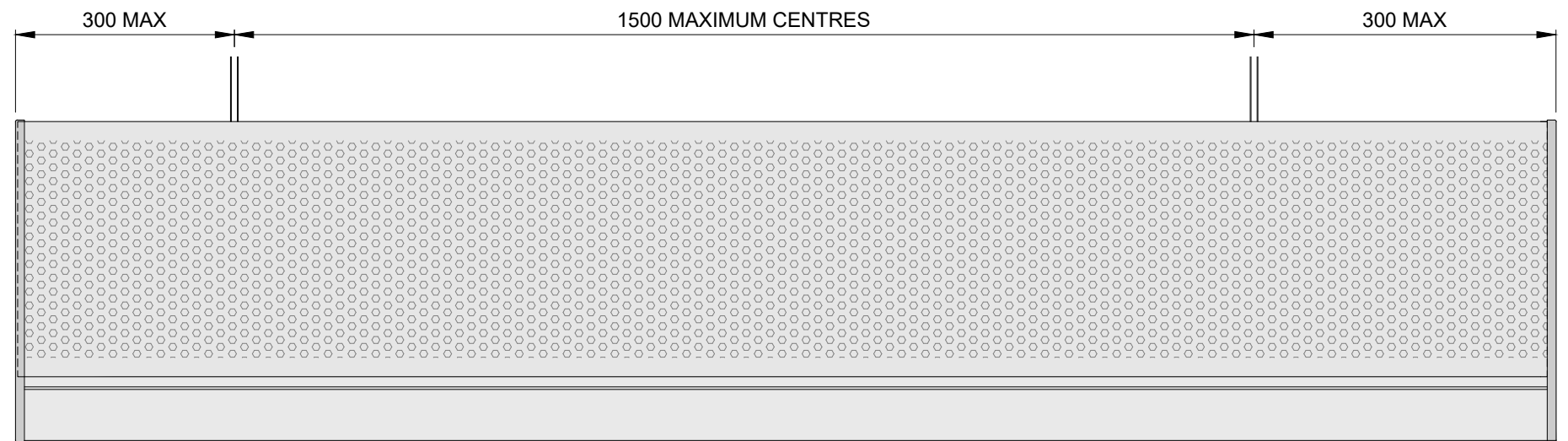
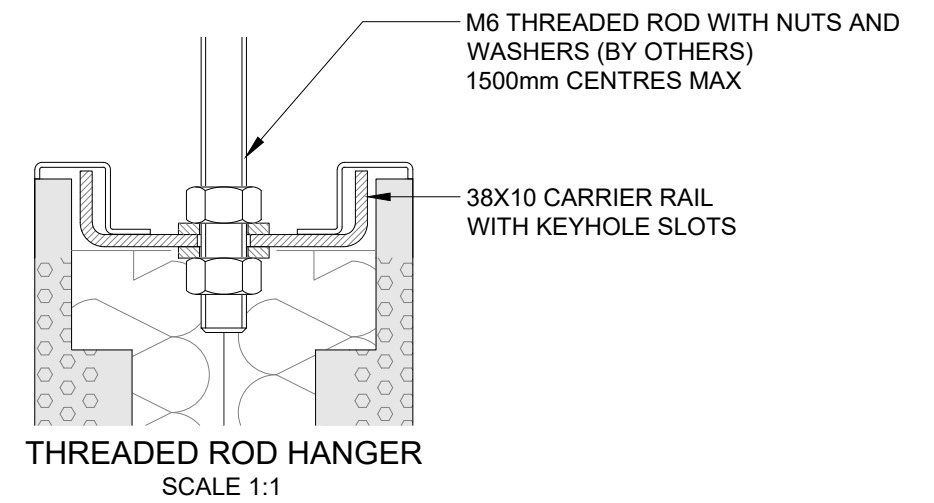
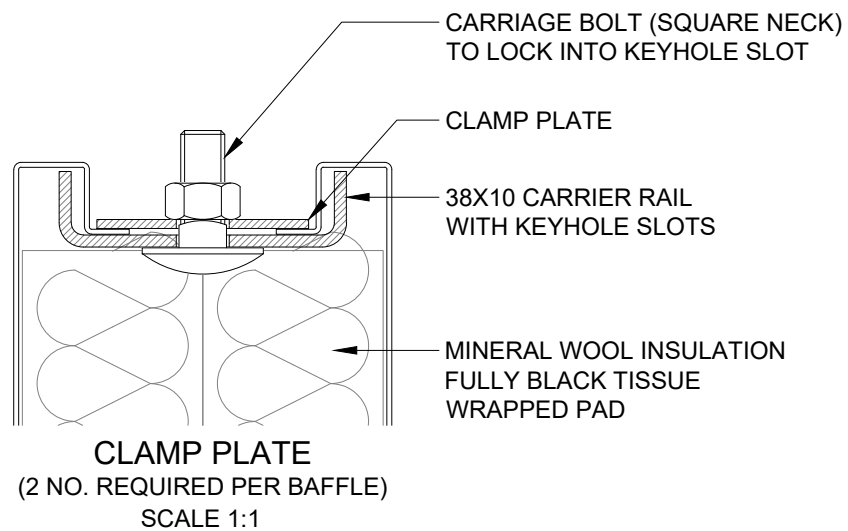


SAS International claims proprietary rights in the information disclosed hereon. This drawing is furnished in confidence on the express understanding that neither it nor any reproduction thereof will be disclosed to others or used for the purpose of manufacture or procurement of the article or part shown hereon without the express consent in writing of SAS International. It should be understood that any article or part either made in accordance with the attached drawing or copied from an article or part made in accordance with said drawing, without the express permission in writing of SAS International, will be an infringement of the Copyright which subsists in said drawing and therefore actionable at law.

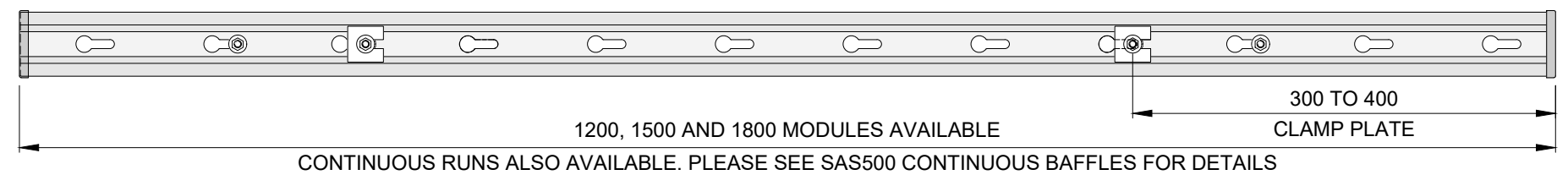
REV	DATE	DESCRIPTION	INITIAL
A	20/06/2017	FIRST ISSUE	---

SAS500i
 CONTINUOUS RUN ISOMETRIC

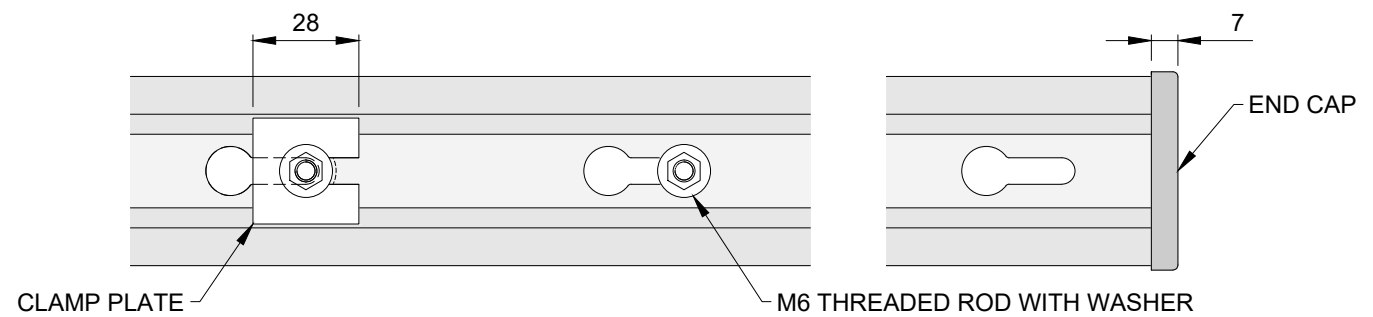
SCALE @ A3 N.T.S	DATE 20/06/2017	DRAWN BY MB
DRG / ITEM No. 0439	REV A	
WORKNORM		



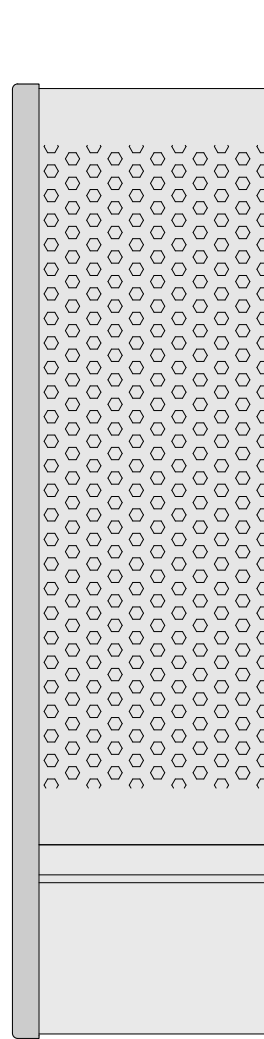
LIGHT BAFFLE MODULE SIDE VIEW
SCALE 1:5



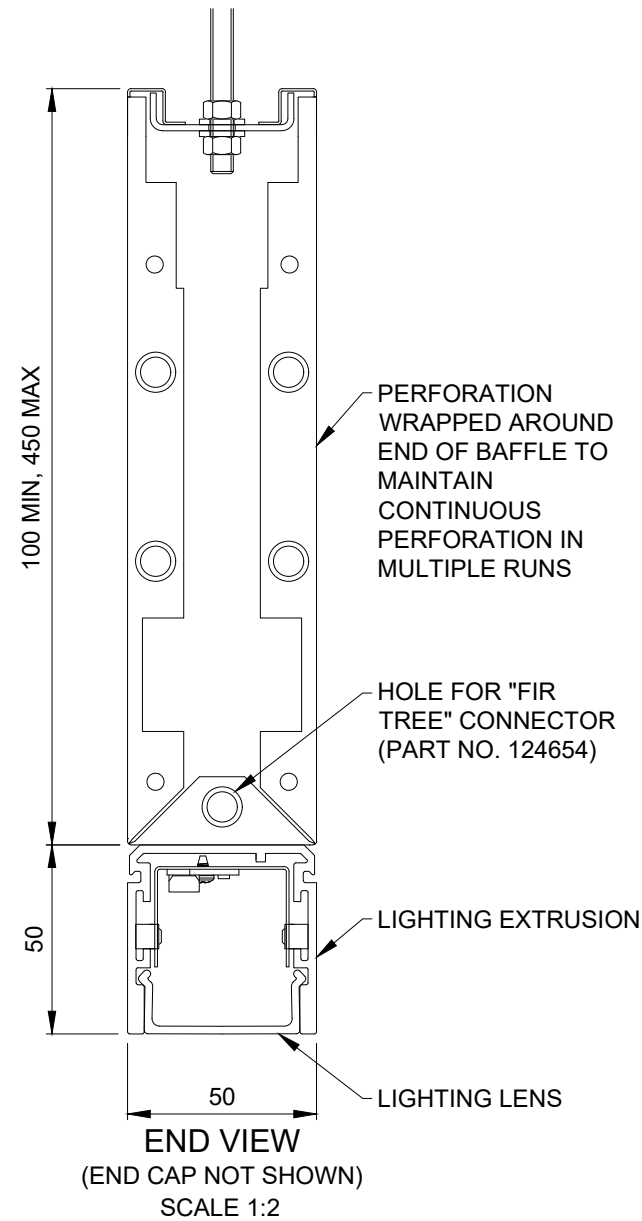
LIGHT BAFFLE MODULE PLAN VIEW
SCALE 1:5



PLAN VIEW DETAILS
SCALE 1:2



END CAP SIDE VIEW
SCALE 1:2



END VIEW
(END CAP NOT SHOWN)
SCALE 1:2



SAS International
EMAC House
Unit 28, Suttons Business Park
Earley, Reading
Berkshire RG6 1AZ
United Kingdom
Tel: +44 (0)118 929 0900
Fax: +44 (0)118 929 0901
www.sasint.co.uk

SAS International claims proprietary rights in the information disclosed hereon. This drawing is furnished in confidence on the express understanding that neither it nor any reproduction thereof will be disclosed to others or used for the purpose of manufacture or procurement of the article or part shown hereon without the express consent in writing of SAS International. It should be understood that any article or part either made in accordance with the attached drawing or copied from an article or part made in accordance with said drawing, without the express permission in writing of SAS International, will be an infringement of the Copyright which subsists in said drawing and therefore actionable at law.

REV	DATE	DESCRIPTION	INITIAL
A	02/12/2014	FIRST ISSUE	---

SAS500i
TYPICAL APPLICATION

SCALE @ A3 AS SHOWN	DATE 02/12/2014	DRAWN BY MB
DRG / ITEM No. 0321	REV	A
WORKNORM		